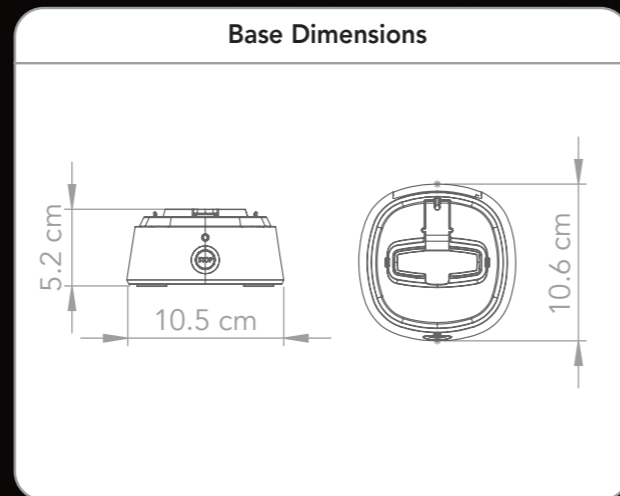
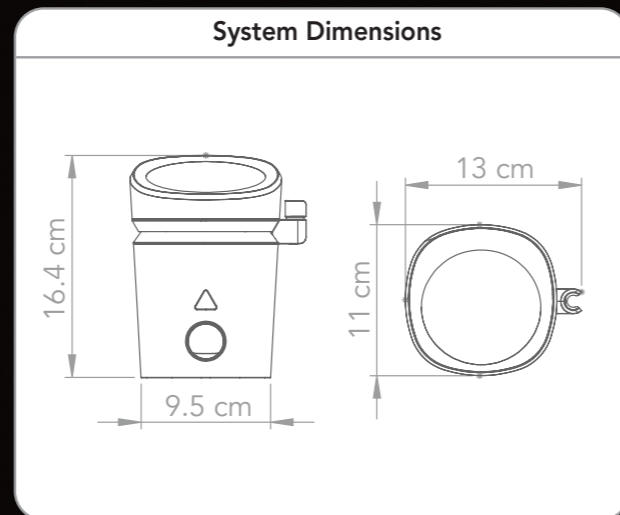


Technical Specifications	
<b>Name</b> Laser Classification	D-Storm™ Class IV
<b>Laser Output</b> Laser Type Wavelength Max Output power Output type Pulse frequency range Pulse duration range	Diode 980nm 7W 4 Pulse types & CW 50 Hz - 8 KHz 25 µs - 10 ms
<b>System Weight</b>	With base: 1.2 Kg 2.6 lbs  Without base: 0.9 Kg 2 lbs
<b>System Dimensions (W x L x H)</b>	With base: 13x11x20.6 cm 5.1"x4.4"x8.1"  Without base: 13x11x16.4 cm 5.1"x4.4"x6.5"
<b>US Patent</b>	No. D956.241 S



**LIGHT INSTRUMENTS**

RISE ABOVE TECHNOLOGY



## ABOUT LIGHT INSTRUMENTS LTD.

Light Instruments Ltd. is the world's leading provider of next generation dental laser technology for hard and soft tissue treatments. In 2007, Light Instruments introduced its revolutionary and innovative Laser-in-Handpiece™ technology as part of its flagship LiteTouch™ Er:YAG dental laser, the world's most versatile All-Tissue Laser. Adding the D-Storm™ Diode Dental Laser, with the unique modular design and distinct pulse modes, to its Dental Laser Line-of-Products, Light Instruments aims at transforming the way practitioners perform everyday dentistry.

## LIGHT INSTRUMENTS LTD.

P.O.B. 223, Yokneam 2069203 Israel.

Tel: +972-732563222

Web: [www.light-inst.com](http://www.light-inst.com)

E-mail: [office@light-inst.com](mailto:office@light-inst.com)



LI-PB1014A/04

# D-STORM™

## 980nm Diode Dental Laser



LIGHT INSTRUMENTS  
RISE ABOVE TECHNOLOGY

# D-STORM™ Taking the world by Storm!

## Just Place & Lase

D-Storm™ Diode Dental Laser is a unique modular system, combined of Stations and Portable Units. With **Stations** in every treating room, the **Portable Unit** can be mobilized between rooms in no-time and with no hassle, serving all dentists and dental professionals.

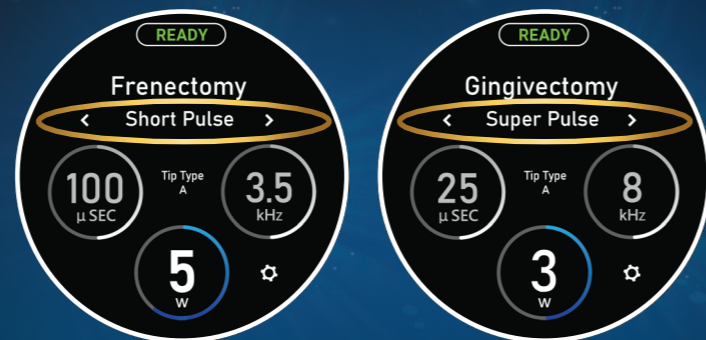


## Enhanced Pulsing Technology

D-Storm™ superiority is in its precise cutting capabilities. The Super and Short pulse modes provide high peak-power laser emissions. These pulses are shorter than tissue thermal relaxation time causing immediate tissue vaporization. The result is precise surgical cutting with minimal collateral effect, less traumatic to the tissue and less painful to the patient.

## Easy Operation

D-Storm™ friendly user interface and pre-defined presets make it an intuitive and easy-to-use laser device, for maximum usability and improved user experience.



## Expanded Treatment Options

D-Storm™ is designed to support numerous clinical applications. Programmed with four pulse modes and a continuous wave and equipped with three handpieces and a variety of fiber tips, D-Storm™ can perform treatments in:

- Oral surgery
- Periodontics
- Implantology
- Oral pathology
- Pediatric dentistry
- Prosthetic dentistry
- Endodontics
- Aesthetics

## Variety of Bendable Tips

D-Storm™ is equipped with a variety of disposable, flexible and bendable tips. The tips differ in diameter and length, in order to cover all surgical treatment possibilities. The single-use tips allow for more efficient use of the laser and therefore a more efficient treatment.



D-STORM™  
980nm Diode Dental Laser



## Safe and Effective

D-Storm™ 980nm wavelength is simultaneously absorbed in both Hemoglobin and Water, for precise treatment with less collateral impact. D-Storm™ achieves a hemostatic effect during surgery, enabling a clear field of vision of the treated area for better precision and control.