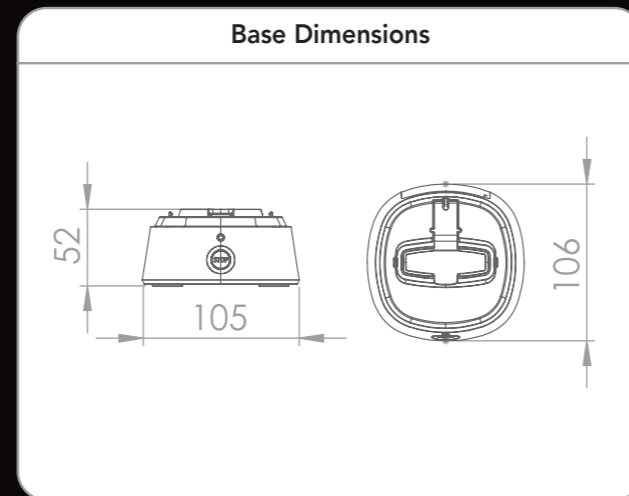
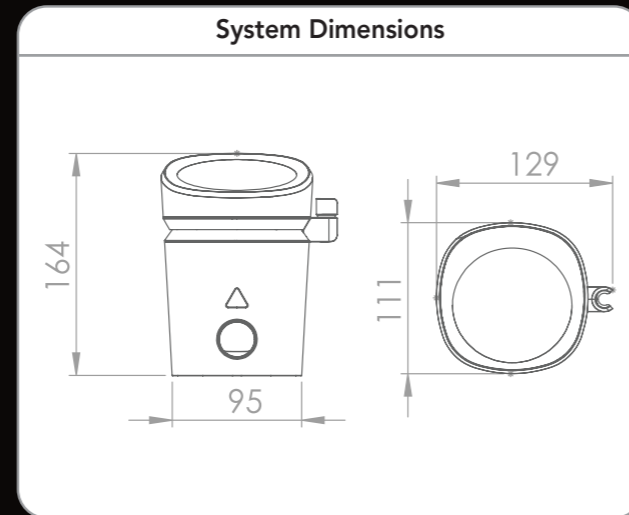




Technical Specifications	
Name Laser Classification	D-Storm™ Class IV
Laser Output Laser Type Wave length Max Output power Output type Pulse frequency range Pulse duration range	Diode 980nm 7W 4 Pulse types & CW 50 Hz - 8 KHz 25 µs - 10 ms
Electrical Requirements Protection Against Electric Shock:	100-240VAC 50/60Hz Type BF Applied part
System Dimensions (W x L x H)	With base: 129x111x206 mm Without base: 129x111x164 mm
System Cooling Method	TEC and Air cooling
System Weight	With base: 1.2 Kg Without base: 0.9 Kg
Environmental Requirements Operating temperature Recommended room temperature Storage temperature Relative humidity	10°C-35°C 20°C-30°C (-)10°C-60°C 10% to 75% non-condensing



US Patent No. D956.241 S

Light Instruments Ltd.

Light Instruments Ltd. is the world's leading provider of next generation dental laser technology for hard and soft tissue treatments. In 2007, Light Instruments introduced its revolutionary and innovative Laser-in-Handpiece™ technology as part of its flagship LiteTouch™ product, the world's most versatile all-tissue, Er:YAG dental laser. Adding the D-Storm™ Diode Dental Laser, with the unique modular design and distinct pulse modes, to its Dental Laser Line-of-Products, Light Instruments aims at transforming the way practitioners perform everyday dentistry.

P.O.B. 223, Yokneam 2069203 Israel
Tel: +972-732563222, Fax: +972-732563214, Web: www.light-inst.com, E-mail: office@light-inst.com



D-STORM™

980nm Diode Dental Laser

D-STORM™ Taking the world by Storm!

Just Place & Lase

D-Storm™ Diode Dental Laser is a unique modular system, combined of Stations and Portable Units. With **Stations** in every treating room, the **Portable Unit** can be mobilized between rooms in no-time and with no hassle, serving all dentists and dental professionals.

Enhanced Pulsing Technology

D-Storm™ superiority is in its precise cutting capabilities. The Super and Short pulse modes provide high peak-power laser emissions. These pulses are shorter than tissue thermal relaxation time causing immediate tissue vaporization. The result is precise surgical cutting with minimal collateral effect, less traumatic to the tissue and less painful to the patient.

Easy Operation

D-Storm™ friendly user interface and pre-defined presets make it an intuitive and easy-to-use laser device, for maximum usability and improved user experience.



Expanded Treatment Options

D-Storm™ is designed to support numerous clinical applications. Programmed with four pulse modes and a continuous wave and equipped with three handpieces and a variety of fiber tips, D-Storm™ can perform treatments in:

- Oral surgery
- Periodontics
- Implantology
- Oral pathology
- Pediatric dentistry
- Prosthetic dentistry
- Endodontics
- Aesthetics

Variety of Bendable Tips

D-Storm™ is equipped with a variety of disposable, flexible and bendable tips. The tips differ in diameter and length, in order to cover all surgical treatment possibilities. The single-use tips allow for more efficient use of the laser and therefore a more efficient treatment.



Safe and Effective

D-Storm™ 980nm wavelength is simultaneously absorbed in both Hemoglobin and Water, for precise treatment with less collateral impact. D-Storm™ achieves a hemostatic effect during surgery, enabling a clear field of vision of the treated area for better precision and control.